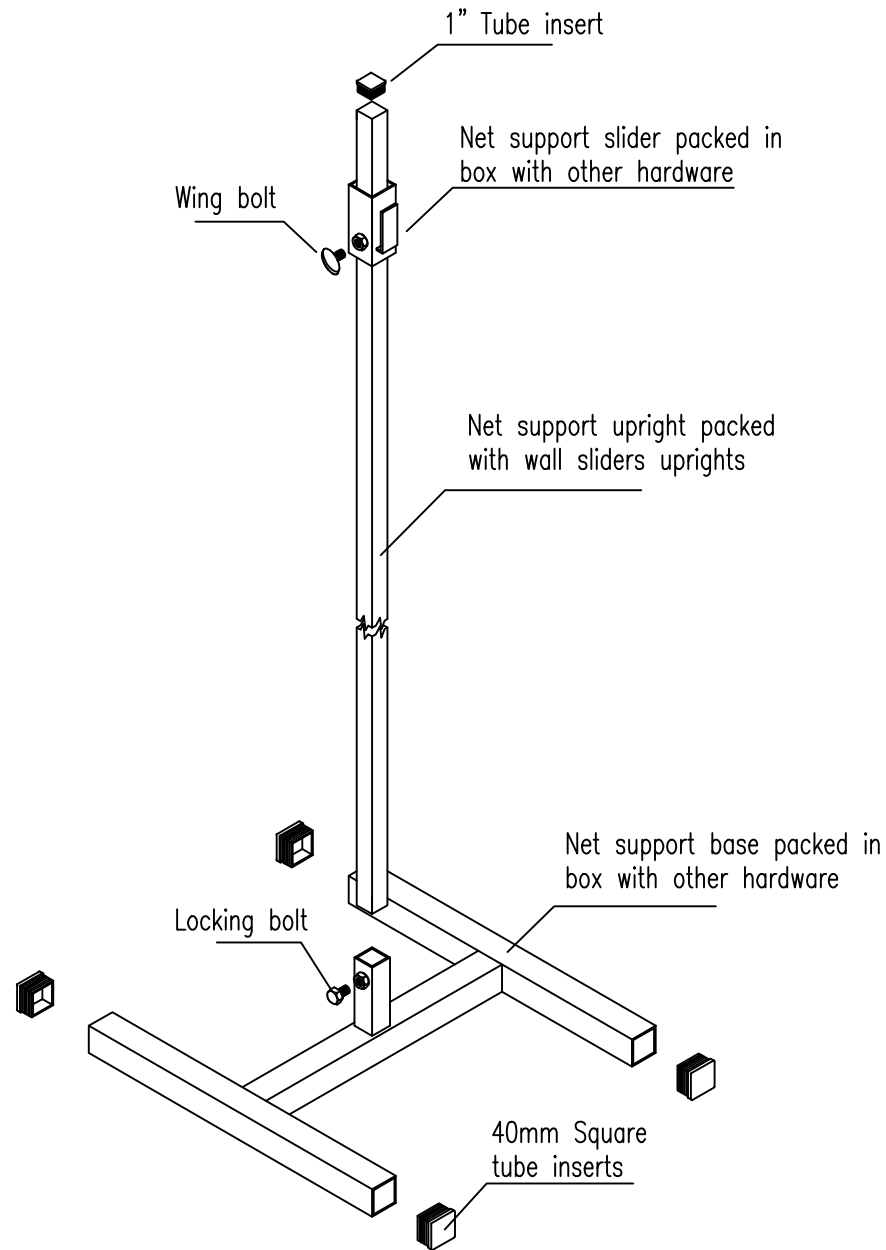


DRAWING No. 001

DO NOT SCALE
ANY DISCREPANCIES OR ERRORS ARE TO BE REPORTED TO THE DRAWING OFFICE.

THE COPYRIGHT TO THIS DRAWING IS THE SOLE PROPERTY OF UNIVERSAL SERVICES. IT MUST NOT BE COPIED OR DUPLICATED IN PART OR IN WHOLE OR DISCLOSED TO A THIRD PARTY WITHOUT THE PRIOR WRITTEN CONSENT OF UNIVERSAL SERVICES.



REV.	DATE	DRN	COMMENTS
------	------	-----	----------

PROJECT:

DESCRIPTION:

Centre Post

SCALE: NTS	DATE: 10.01.11	DRAWN: PS	CHECKED:
---------------	-------------------	--------------	----------



BECKINGHAM BUSINESS PARK,
TOLLESHUNT MAJOR,
MALDON, ESSEX, CM9 8LZ,
ENGLAND.
TEL: (01621) 868700
FAX: (01621) 860697

CAD FILE:

DRAWING No. 001 REV. _